



# LEICA SL3

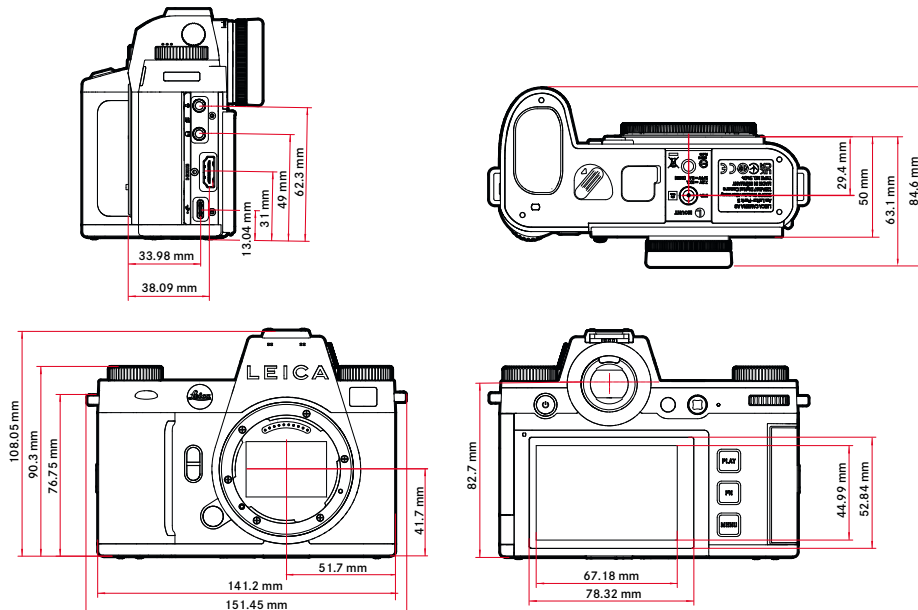
## 技术参数



| 名称                | Leica SL3   |           |        |           |     |                |       |       |       |               |       |       |       |               |       |       |       |               |       |       |       |                   |       |       |       |                   |        |       |        |                   |        |        |     |
|-------------------|---|-----------|--------|-----------|-----|----------------|-------|-------|-------|---------------|-------|-------|-------|---------------|-------|-------|-------|---------------|-------|-------|-------|-------------------|-------|-------|-------|-------------------|--------|-------|--------|-------------------|--------|--------|-----|
| 相机型号              | 无反光镜全画幅系统相机   |           |        |           |     |                |       |       |       |               |       |       |       |               |       |       |       |               |       |       |       |                   |       |       |       |                   |        |       |        |                   |        |        |     |
| 型号编号              | 5404  |           |        |           |     |                |       |       |       |               |       |       |       |               |       |       |       |               |       |       |       |                   |       |       |       |                   |        |       |        |                   |        |        |     |
| 订货编号              | 10607 (EU/US/CN), 10608 (JP), 10609 (ROW)   |           |        |           |     |                |       |       |       |               |       |       |       |               |       |       |       |               |       |       |       |                   |       |       |       |                   |        |       |        |                   |        |        |     |
| 缓存                | 8GB, 容量取决于帧率和照片格式, 近似值 (缓存中可能的照片数)  |           |        |           |     |                |       |       |       |               |       |       |       |               |       |       |       |               |       |       |       |                   |       |       |       |                   |        |       |        |                   |        |        |     |
|                   | <table border="1"> <thead> <tr> <th>连续拍摄</th> <th>DNG</th> <th>DNG + JPG</th> <th>JPG</th> </tr> </thead> <tbody> <tr> <td>15 fps, 12 bit</td> <td>60fps</td> <td>60fps</td> <td>60fps</td> </tr> <tr> <td>9 fps, 12 bit</td> <td>75fps</td> <td>65fps</td> <td>75fps</td> </tr> <tr> <td>7 fps, 12 bit</td> <td>80fps</td> <td>70fps</td> <td>80fps</td> </tr> <tr> <td>6 fps, 14 bit</td> <td>90fps</td> <td>75fps</td> <td>90fps</td> </tr> <tr> <td>5 fps, 12 bit, AF</td> <td>90fps</td> <td>75fps</td> <td>90fps</td> </tr> <tr> <td>4 fps, 14 bit, AF</td> <td>100fps</td> <td>80fps</td> <td>105fps</td> </tr> <tr> <td>2 fps, 14 bit, AF</td> <td>400fps</td> <td>120fps</td> <td>无限制</td> </tr> </tbody> </table> | 连续拍摄      | DNG    | DNG + JPG | JPG | 15 fps, 12 bit | 60fps | 60fps | 60fps | 9 fps, 12 bit | 75fps | 65fps | 75fps | 7 fps, 12 bit | 80fps | 70fps | 80fps | 6 fps, 14 bit | 90fps | 75fps | 90fps | 5 fps, 12 bit, AF | 90fps | 75fps | 90fps | 4 fps, 14 bit, AF | 100fps | 80fps | 105fps | 2 fps, 14 bit, AF | 400fps | 120fps | 无限制 |
| 连续拍摄              | DNG   | DNG + JPG | JPG    |           |     |                |       |       |       |               |       |       |       |               |       |       |       |               |       |       |       |                   |       |       |       |                   |        |       |        |                   |        |        |     |
| 15 fps, 12 bit    | 60fps   | 60fps     | 60fps  |           |     |                |       |       |       |               |       |       |       |               |       |       |       |               |       |       |       |                   |       |       |       |                   |        |       |        |                   |        |        |     |
| 9 fps, 12 bit     | 75fps   | 65fps     | 75fps  |           |     |                |       |       |       |               |       |       |       |               |       |       |       |               |       |       |       |                   |       |       |       |                   |        |       |        |                   |        |        |     |
| 7 fps, 12 bit     | 80fps   | 70fps     | 80fps  |           |     |                |       |       |       |               |       |       |       |               |       |       |       |               |       |       |       |                   |       |       |       |                   |        |       |        |                   |        |        |     |
| 6 fps, 14 bit     | 90fps   | 75fps     | 90fps  |           |     |                |       |       |       |               |       |       |       |               |       |       |       |               |       |       |       |                   |       |       |       |                   |        |       |        |                   |        |        |     |
| 5 fps, 12 bit, AF | 90fps   | 75fps     | 90fps  |           |     |                |       |       |       |               |       |       |       |               |       |       |       |               |       |       |       |                   |       |       |       |                   |        |       |        |                   |        |        |     |
| 4 fps, 14 bit, AF | 100fps  | 80fps     | 105fps |           |     |                |       |       |       |               |       |       |       |               |       |       |       |               |       |       |       |                   |       |       |       |                   |        |       |        |                   |        |        |     |
| 2 fps, 14 bit, AF | 400fps  | 120fps    | 无限制    |           |     |                |       |       |       |               |       |       |       |               |       |       |       |               |       |       |       |                   |       |       |       |                   |        |       |        |                   |        |        |     |
| 存储设备              | UHS-II (推荐)、UHS-I、SD/SDHC/SDXC卡 + B型 CFexpress卡 (推荐)  |           |        |           |     |                |       |       |       |               |       |       |       |               |       |       |       |               |       |       |       |                   |       |       |       |                   |        |       |        |                   |        |        |     |
| 材质                | 全金属机身: 镁和铝, 人造革外壳, 防溅符合IEC标准60529 (防护等级IP54)  |           |        |           |     |                |       |       |       |               |       |       |       |               |       |       |       |               |       |       |       |                   |       |       |       |                   |        |       |        |                   |        |        |     |
| 镜头接口              | 带一系列触点的Leica L卡口, 用于镜头与相机之间的通信  |           |        |           |     |                |       |       |       |               |       |       |       |               |       |       |       |               |       |       |       |                   |       |       |       |                   |        |       |        |                   |        |        |     |
| 工作条件              | -10°C至+40°C   |           |        |           |     |                |       |       |       |               |       |       |       |               |       |       |       |               |       |       |       |                   |       |       |       |                   |        |       |        |                   |        |        |     |
| 接口                | 带额外控制触点的ISO配件靴座、时间码接口、HDMI插座 2.1 A型、USB 3.1 Gen1 C型、3.5毫米声音输出/3.5毫米声音输入、多功能手柄底盖上的通信接口   |           |        |           |     |                |       |       |       |               |       |       |       |               |       |       |       |               |       |       |       |                   |       |       |       |                   |        |       |        |                   |        |        |     |
| 三脚架螺口             | 底部不锈钢A 1/4 DIN4503 (1/4")   |           |        |           |     |                |       |       |       |               |       |       |       |               |       |       |       |               |       |       |       |                   |       |       |       |                   |        |       |        |                   |        |        |     |

数值取决于所用存储卡的类型 (SD或CFexpress) /分辨率

## 尺寸



|    |                          |
|----|--------------------------|
| 重量 | 约769.7克 (不含电池、SD卡、机身卡口盖) |
|----|--------------------------|



# LEICA SL3

## 传感器

传感器大小 CMOS传感器, 62.39 MP/60.3 MP (总像素/有效像素)

图像防抖功能 5轴图像防抖功能, 高达5档

滤镜 RGB彩色滤镜、UV-/IR滤镜、无低通滤镜

处理器 Leica大师系列 (Maestro IV)

文件格式 照片: DNG™ (原始数据)、DNG + JPG、JPG (DCF 2.0、Exif 2.31)  
视频:

| MP4 | h.265  | AAC  | 48 kHz/16 bit |
|-----|--------|------|---------------|
|     | h.264  | AAC  | 48 kHz/16 bit |
| MOV | h.265  | LPCM | 48 kHz/24 bit |
|     | h.264  | LPCM | 48 kHz/24 bit |
|     | ProRes | LPCM | 48 kHz/24 bit |

照片分辨率

| 35 mm | JPG       |         | DNG       |         |
|-------|-----------|---------|-----------|---------|
| L     | 9520x6336 | 60.3 MP | 9520x6336 | 60.3 MP |
| M     | 7392x4928 | 36.4 MP | 7404x4928 | 36.5 MP |
| S     | 5280x3504 | 18.5 MP | 5288x3518 | 18.6 MP |
| APS-C | JPG       |         | DNG       |         |
| L     | 6256x4160 | 26.0 MP | 6256x4168 | 26.1 MP |
| M     | 4864x3232 | 15.7 MP | 4868x3242 | 15.8 MP |
| S     | 3472x2304 | 8.0 MP  | 3476x2314 | 8.0 MP  |

色彩深度 DNG™: 14 位 (根据连拍模式也可12位), JPG: 8位

色彩空间 照片: sRGB  
视频: Rec. 709/Rec. 2020 (HLG/L-Log)

文件大小 DNG™: 约70 MP, 取决于分辨率和图像内容, JPG: 取决于分辨率和图像内容  
视频: 最大长度取决于环境温度和可用的存储空间

视频拍摄模式 视频模式: P - A - S - M  
电影模式: M

视频分辨率

|                | 分辨率       |
|----------------|-----------|
| C8K (17:9)     | 8192x4320 |
| 8K (16:9)      | 7680x4320 |
| C4K (17:9)     | 4096x2160 |
| 4K (16:9)      | 3840x2160 |
| Full HD (16:9) | 1920x1080 |



# LEICA SL3

## 视频帧率

| MOV C8K                               |                           |        |       |         |
|---------------------------------------|---------------------------|--------|-------|---------|
| MOV C8K (录制到SD)                       |                           |        |       |         |
| 29.97fps                              | C8K 4:2:0 / 10bit         | h.265  | L-GOP | 300Mbps |
| 25.00fps                              | C8K 4:2:0 / 10bit         | h.265  | L-GOP | 300Mbps |
| 24.00fps                              | C8K 4:2:0 / 10bit         | h.265  | L-GOP | 300Mbps |
| 23.98fps                              | C8K 4:2:0 / 10bit         | h.265  | L-GOP | 300Mbps |
| MOV C8K (不带HLG/L-Log的HDMI输出, 且不录制到SD) |                           |        |       |         |
| 29.97fps                              | 8K 4:2:0 / 8bit           | h.265  | L-GOP | 300Mbps |
| 25.00fps                              | 8K 4:2:0 / 8bit           | h.265  | L-GOP | 300Mbps |
| 24.00fps                              | 8K 4:2:0 / 8bit           | h.265  | L-GOP | 300Mbps |
| 23.98fps                              | 8K 4:2:0 / 8bit           | h.265  | L-GOP | 300Mbps |
| MOV C8K (带HLG/L-Log的HDMI输出, 或同时录制到SD) |                           |        |       |         |
| 29.97fps                              | C4K 4:2:2 / 10bit         | h.265  | L-GOP | 300Mbps |
| 25.00fps                              | C4K 4:2:2 / 10bit         | h.265  | L-GOP | 300Mbps |
| 24.00fps                              | C4K 4:2:2 / 10bit         | h.265  | L-GOP | 300Mbps |
| 23.98fps                              | C4K 4:2:2 / 10bit         | h.265  | L-GOP | 300Mbps |
| MOV 8K                                |                           |        |       |         |
| MOV 8K (录制到SD)                        |                           |        |       |         |
| 29.97fps                              | 8K 4:2:0 / 10bit          | h.265  | L-GOP | 300Mbps |
| 25.00fps                              | 8K 4:2:0 / 10bit          | h.265  | L-GOP | 300Mbps |
| 24.00fps                              | 8K 4:2:0 / 10bit          | h.265  | L-GOP | 300Mbps |
| 23.98fps                              | 8K 4:2:0 / 10bit          | h.265  | L-GOP | 300Mbps |
| MOV 8K (不带HLG/L-Log的HDMI输出, 且不录制到SD)  |                           |        |       |         |
| 29.97fps                              | 8K 4:2:0 / 8bit           | h.265  | L-GOP | 300Mbps |
| 25.00fps                              | 8K 4:2:0 / 8bit           | h.265  | L-GOP | 300Mbps |
| 24.00fps                              | 8K 4:2:0 / 8bit           | h.265  | L-GOP | 300Mbps |
| 23.98fps                              | 8K 4:2:0 / 8bit           | h.265  | L-GOP | 300Mbps |
| MOV 8K (带HLG/L-Log的HDMI输出, 或同时录制到SD)  |                           |        |       |         |
| 29.97fps                              | 4K 4:2:2 / 10bit          | h.265  | L-GOP | 300Mbps |
| 25.00fps                              | 4K 4:2:2 / 10bit          | h.265  | L-GOP | 300Mbps |
| 24.00fps                              | 4K 4:2:2 / 10bit          | h.265  | L-GOP | 300Mbps |
| 23.98fps                              | 4K 4:2:2 / 10bit          | h.265  | L-GOP | 300Mbps |
| MOV C4K                               |                           |        |       |         |
| 59.94fps                              | 4:2:2 / 10bit (SD & HDMI) | h.264  | ALL-I | 600Mbps |
| 50.00fps                              | 4:2:2 / 10bit (SD & HDMI) | h.264  | ALL-I | 600Mbps |
| 48.00fps                              | 4:2:2 / 10bit (SD)        | h.264  | ALL-I | 600Mbps |
| 24.00fps                              | 4:2:2 / 10bit (HDMI)      |        |       |         |
| 47.95fps                              | 4:2:2 / 10bit (SD)        | h.264  | ALL-I | 600Mbps |
| 23.98fps                              | 4:2:2 / 10bit (HDMI)      |        |       |         |
| 29.97fps                              | 4:2:2 / 10bit (SD & HDMI) | h.264  | ALL-I | 400Mbps |
| 25.00fps                              | 4:2:2 / 10bit (SD & HDMI) | h.264  | ALL-I | 400Mbps |
| 24.00fps                              | 4:2:2 / 10bit (SD & HDMI) | h.264  | ALL-I | 400Mbps |
| 23.98fps                              | 4:2:2 / 10bit (SD & HDMI) | h.264  | ALL-I | 400Mbps |
| MOV 4K                                |                           |        |       |         |
| 59.94fps                              | 4:2:2 / 10bit (SD & HDMI) | h.264  | ALL-I | 600Mbps |
| 50.00fps                              | 4:2:2 / 10bit (SD & HDMI) | h.264  | ALL-I | 600Mbps |
| 48.00fps                              | 4:2:2 / 10bit (SD)        | h.264  | ALL-I | 600Mbps |
| 24.00fps                              | 4:2:2 / 10bit (HDMI)      |        |       |         |
| 47.95fps                              | 4:2:2 / 10bit (SD)        | h.264  | ALL-I | 600Mbps |
| 23.98fps                              | 4:2:2 / 10bit (HDMI)      |        |       |         |
| 29.97fps                              | 4:2:2 / 10bit (SD & HDMI) | h.264  | ALL-I | 400Mbps |
| 25.00fps                              | 4:2:2 / 10bit (SD & HDMI) | h.264  | ALL-I | 400Mbps |
| 24.00fps                              | 4:2:2 / 10bit (SD & HDMI) | h.264  | ALL-I | 400Mbps |
| 23.98fps                              | 4:2:2 / 10bit (SD & HDMI) | h.264  | ALL-I | 400Mbps |
| MOV FHD                               |                           |        |       |         |
| 119.88fps                             | 4:2:2 / 10bit (SD & HDMI) | h.264  | ALL-I | 400Mbps |
| 100.00fps                             | 4:2:2 / 10bit (SD & HDMI) | h.264  | ALL-I | 400Mbps |
| 59.94fps                              | 4:2:2 / 10bit (SD & HDMI) | h.264  | ALL-I | 200Mbps |
| 50.00fps                              | 4:2:2 / 10bit (SD & HDMI) | h.264  | ALL-I | 200Mbps |
| 48.00fps                              | 4:2:2 / 10bit (SD)        | h.264  | ALL-I | 200Mbps |
| 24.00fps                              | 4:2:2 / 10bit (HDMI)      |        |       |         |
| 47.95fps                              | 4:2:2 / 10bit (SD)        | h.264  | ALL-I | 200Mbps |
| 23.98fps                              | 4:2:2 / 10bit (HDMI)      |        |       |         |
| 29.97fps                              | 4:2:2 / 10bit (SD & HDMI) | h.264  | ALL-I | 200Mbps |
| 25.00fps                              | 4:2:2 / 10bit (SD & HDMI) | h.264  | ALL-I | 200Mbps |
| 24.00fps                              | 4:2:2 / 10bit (SD & HDMI) | h.264  | ALL-I | 200Mbps |
| 23.98fps                              | 4:2:2 / 10bit (SD & HDMI) | h.264  | ALL-I | 200Mbps |
| MOV FHD Slow Motion                   |                           |        |       |         |
| 传感器: 约                                | 4:2:0 / 10bit (SD & HDMI) | h.265  | L-GOP | 100Mbps |
| 119.88fps                             |                           |        |       |         |
| 拍摄/输出: 29.97fps                       |                           |        |       |         |
| 传感器: 约                                | 4:2:0 / 10bit (SD & HDMI) | h.265  | L-GOP | 100Mbps |
| 100.00fps                             |                           |        |       |         |
| 拍摄/输出: 25.00fps                       |                           |        |       |         |
| MOV FHD ProRes                        |                           |        |       |         |
| 59.94fps                              | 422HQ                     | ProRes |       | 454Mbps |
| 50.00fps                              | 422HQ                     | ProRes |       | 378Mbps |
| 29.97fps                              | 422HQ                     | ProRes |       | 227Mbps |
| 25.00fps                              | 422HQ                     | ProRes |       | 189Mbps |
| 24.00fps                              | 422HQ                     | ProRes |       | 182Mbps |
| 23.98fps                              | 422HQ                     | ProRes |       | 181Mbps |
| MP4 8K                                |                           |        |       |         |
| MP4 8K (录制到SD)                        |                           |        |       |         |
| 29.97fps                              | 8K 4:2:0 / 10bit          | h.265  | L-GOP | 300Mbps |
| 25.00fps                              | 8K 4:2:0 / 10bit          | h.265  | L-GOP | 300Mbps |
| 23.98fps                              | 8K 4:2:0 / 10bit          | h.265  | L-GOP | 300Mbps |
| MP4 8K (HDMI输出, 不录制到SD)               |                           |        |       |         |
| 29.97fps                              | 8K 4:2:0 / 8bit           | h.265  | L-GOP | 300Mbps |
| 25.00fps                              | 8K 4:2:0 / 8bit           | h.265  | L-GOP | 300Mbps |
| 23.98fps                              | 8K 4:2:0 / 8bit           | h.265  | L-GOP | 300Mbps |
| MP4 8K (HDMI输出, 同时录制到SD)              |                           |        |       |         |
| 29.97fps                              | 4K 4:2:2 / 10bit          | h.265  | L-GOP | 300Mbps |
| 25.00fps                              | 4K 4:2:2 / 10bit          | h.265  | L-GOP | 300Mbps |
| 23.98fps                              | 4K 4:2:2 / 10bit          | h.265  | L-GOP | 300Mbps |
| MP4 4K                                |                           |        |       |         |
| 59.94fps                              | 4:2:0 / 10bit (SD & HDMI) | h.265  | L-GOP | 100Mbps |
| 50.00fps                              | 4:2:0 / 10bit (SD & HDMI) | h.265  | L-GOP | 100Mbps |
| 29.97fps                              | 4:2:0 / 8bit (SD & HDMI)  | h.264  | L-GOP | 100Mbps |
| 25.00fps                              | 4:2:0 / 8bit (SD & HDMI)  | h.264  | L-GOP | 100Mbps |
| 23.98fps                              | 4:2:0 / 8bit (SD & HDMI)  | h.264  | L-GOP | 100Mbps |
| MP4 FHD                               |                           |        |       |         |
| 59.94fps                              | 4:2:0 / 8bit (SD & HDMI)  | h.264  | L-GOP | 28Mbps  |
| 50.00fps                              | 4:2:0 / 8bit (SD & HDMI)  | h.264  | L-GOP | 28Mbps  |
| 29.97fps                              | 4:2:0 / 8bit (SD & HDMI)  | h.264  | L-GOP | 20Mbps  |
| 25.00fps                              | 4:2:0 / 8bit (SD & HDMI)  | h.264  | L-GOP | 20Mbps  |
| 23.98fps                              | 4:2:0 / 8bit (SD & HDMI)  | h.264  | L-GOP | 24Mbps  |

## 比特率

拍摄至SD卡时8/10bit, 通过HDMI输出时10bit

## 视频伽马值

Rec. 709, L-Log Rec. 2020, HLG Rec. 2020  
更多信息可在Leica主页提供下载的“L-Log参考手册”中找到。

## 取景器/显示屏

### 取景器 (电子取景器)

分辨率: 5 760 000 像素 (点), 60fps 或 120fps, 放大率: 宽高比3:2时, 约 0.76倍 / 宽高比4:3时, 约 0.78倍, 图像覆盖率: 100%, 瞳孔出口位置: 21mm, 可在 -4dpt 至 +2dpt 之间调节, 带眼传感器, 用于在取景器和监视器之间自动切换, 时间延迟 0.005秒。

### 显示屏

3.2" (LED背光灯) 带防指纹和防刮花涂层, 2332800像素 (Dots), 规格3:2, 触摸屏

### 顶部面板显示

1.28"高反射半反半透型单色LCD, 128x128像素, 120°视角; 防指纹涂层

## 快门

### 快门类型

电子操控焦平面快门

### 快门速度

机械快门: 60分钟 至 1/8000秒, 电子快门功能: 60秒 至 1/16000秒, 闪光同步: 高达 1/200秒

### 快门按钮

两级  
(第1阶段: 激活相机电路, 包括自动对焦和测光; 第2阶段: 触发快门)

### 自拍定时器

倒数时间: 2秒、6秒、12秒、30秒



# LEICA SL3

## 驱动模式

单张, 连续拍摄, 间隔拍摄, 包围曝光  
连续拍摄:

| 设置                | 快门类型      | 连续拍摄时自动对焦模式        |
|-------------------|-----------|--------------------|
| 2 fps, 14 bit, AF | 机械快门或电子快门 | AFc, 即使选择了AFs或智能AF |
| 4 fps, 14 bit, AF |           |                    |
| 5 fps, 12 bit, AF |           |                    |
| 6 fps, 14 bit*    |           |                    |
| 7 fps, 12 bit*    | 电子快门      | 无重新对焦              |
| 9 fps, 12 bit*    |           |                    |
| 15 fps, 12 bit*   |           |                    |

\*自动设置 (P/A/S模式下的曝光设置、自动白平衡和自动对焦) 在拍摄第一张照片之前确定, 并应用于同一系列中的所有后续照片。

## 对焦

### 对焦模式

自动或手动  
手动设置时: 可选用放大镜功能 (放大) 和边缘标记 (对焦峰值) 作为对焦辅助

### 自动对焦系统

通过对比度检测、深度图和相位比较测量与传感器中的自动对焦测量点相结合的混合自动对焦。

### 自动对焦模式

智能AF (当场景中发生变化时, 自动重新对焦), AFs, AFc, 可保存自动对焦设置, 可选触摸自动对焦

### 自动对焦测距方法

多区, 点 (可移动), 跟踪 (可移动, 可扩展), 跟踪 (可移动, 可扩展), 跟踪, 人物识别, 动物识别 (Beta)

### 自动对焦测量区

315

## 曝光

### 测光模式

TTL (通过镜头实现测光)

### 测光方式

点, 中央重点, 强调亮区, 多区

### 曝光模式

程序自动模式 (P), 光圈先决模式 (A): 手动光圈设定, 快门先决模式 (S): 手动快门速度设定, 手动 (M): 手动设置快门速度和光圈

### 曝光补偿

±3 EV, 以1/3 EV级或1/2 EV级为单位可调

### 自动包围曝光

3或5张照片, 每张照片之间的增量最高达3 EV, 以1/3 EV级为增量可调, 可选的额外曝光补偿: 最高达±3 EV

### ISO感光度范围

|       | 照片                     | 视频                     | 视频 L-Log               | HLG                    |
|-------|------------------------|------------------------|------------------------|------------------------|
| 自动ISO | ISO 100–<br>ISO 100000 | ISO 100–<br>ISO 100000 | ISO 200–<br>ISO 100000 | ISO 400–<br>ISO 100000 |
| 手动    | ISO 50–<br>ISO 100000  | ISO 50–<br>ISO 100000  | ISO 200–<br>ISO 100000 | ISO 400–<br>ISO 100000 |

### 双基准ISO设置

|        | 照片                     | 视频                     | 视频 L-Log               | HLG                      |
|--------|------------------------|------------------------|------------------------|--------------------------|
| 低基本ISO | ISO 50–<br>ISO 280     | ISO 50–<br>ISO 280     | ISO 200–<br>ISO 560    | ISO 400–<br>ISO 1100     |
| 高基本ISO | ISO 320–<br>ISO 100000 | ISO 320–<br>ISO 100000 | ISO 640–<br>ISO 100000 | ISO 12000–<br>ISO 100000 |

### 白平衡

自动 (自动), 预设 (晴天, 阴天, 阴影, 人造光, HMI, 荧光灯 (暖色), 荧光灯 (冷色), 闪光灯), 手动测光 (灰卡 (吸管), 灰卡), 手动色温调节 (色温, 2000K至11500K)

## 闪光灯

### 闪光灯连接

通过配件靴座

### 闪光同步插座

用于闪光同步 (仅适用于照片模式)

### 闪光同步速度

↔: 1/200秒, 可用更慢的快门速度, 如果低于同步速度: 使用带高速同步 (HSS) 功能的Leica闪光灯自动切换至TTL线性闪光模式

### 闪光灯测光模式

通过Leica闪光灯进行中央重点TTL预闪光测量 (SF 26、SF 40、SF 58、SF 60、SF 64), 或符合系统要求的闪光灯, 闪光灯远程控制 SFC1

### 闪光灯曝光补偿

SF 40: ±2 EV, 以1/2 EV级为增量可调  
SF 60: ±2 EV, 以1/3 EV级为增量可调

## 配置

### 麦克风

内置立体声 + 3.5mm插孔立体声麦克风输入

### 扬声器

内置单声道 + 3.5mm插孔立体声耳机输出



# LEICA SL3

## WLAN

使用WLAN功能时需要“Leica FOTOS”应用。可在Apple App Store™或Google Play Store™购得。

|                           | 2.4 GHz                                       | 5GHz   |   |
|---------------------------|---|--|---|
| <b>EU/<br/>US/<br/>CN</b> | IEEE802.11b/g/n:<br>1-11频道 (2412-<br>2462MHz) | 客户端模式:<br>(仅适用于室内)<br>IEEE802.11a/n/ac: 36-64频道 (5180-<br>5320 MHz)    | 接入点+客户端模式:<br>IEEE802.11a/n/ac: 149-165频道<br>(5745-5825 MHz)        |
| <b>JP</b>                 |   | 接入点+客户端模式:<br>(仅适用于室内)<br>IEEE802.11a/n/ac: 36-48频道<br>(5180-5240 MHz) | 客户端模式:<br>(仅适用于室内)<br>IEEE802.11a/n/ac: 52-144频道<br>(5260-5720 MHz) |
| <b>ROW</b>                |   |  |   |

加密方法: 兼容WLAN的WPA2™

## 蓝牙

蓝牙 5.0 LE: 0-39频道 (2402-2480 MHz)

## GPS

可通过Leica FOTOS应用程序激活, 由于特定国家/地区的法规, 该功能并非在所有地区都可用。数据会被写入到拍摄文件的EXIF标头中。

## 菜单语言

英语、德语、法语、意大利语、西班牙语、葡萄牙语、俄语、日语、简体中文、繁体中文、韩语

## 电源

### 电池 (Leica BP-SCL4)

锂离子电池, 额定电压 7.2V (DC); 容量 2200mAh (最小), 260次拍摄 (根据CIPA标准), 1350次拍摄 (根据CIPA标准, 调整拍摄周期\*), 显示器/AF自动关闭 = 5 s; 工厂: 松下能源 (无锡) 有限公司, 中国制造

\*周期 1: 开机, 5秒后第一次触发快门, 每3秒拍摄一次, 拍摄10次后关闭相机 (自动关机), 等待5分钟后再次开机。

\*周期 2: 开机, 5秒后第一次触发快门, 每3秒拍摄一次, 拍摄50次后关闭相机 (自动关机), 等待5分钟后再次开机。

这些周期交替重复, 直到电池耗尽。

### USB-C电源装置 (Leica ACA-SCL6) (可选配件)

输入: 交流电100-240V, 50/60Hz, 0.25A, 自动切换; 输出: 直流电5V/9V, 3A; 生产厂家: 厦门台和电子有限公司, 中国制造

### 双充电器 (Leica BC-SCL6) (可选配件)

输入: 直流电5V/3A, 9V/3A, 自动切换; 输出: 直流电8.4V, 850 mA/1000 mA; 生产厂家: Salom Electric (厦门) 有限公司, 中国制造

## 通过USB充电

运行期间: 9V/3A (最小27W)  
相机关闭时: 5V/1500 mA (2.5W或更高)



QuickTime